



Automatic doors and traction machines for elevators

SPARE PARTS
CATALOGUE MICRO
CAR DOOR OPERATOR

CATALOGO RICAMBI
OPERATORE MICRO



PRISMA S.P.A

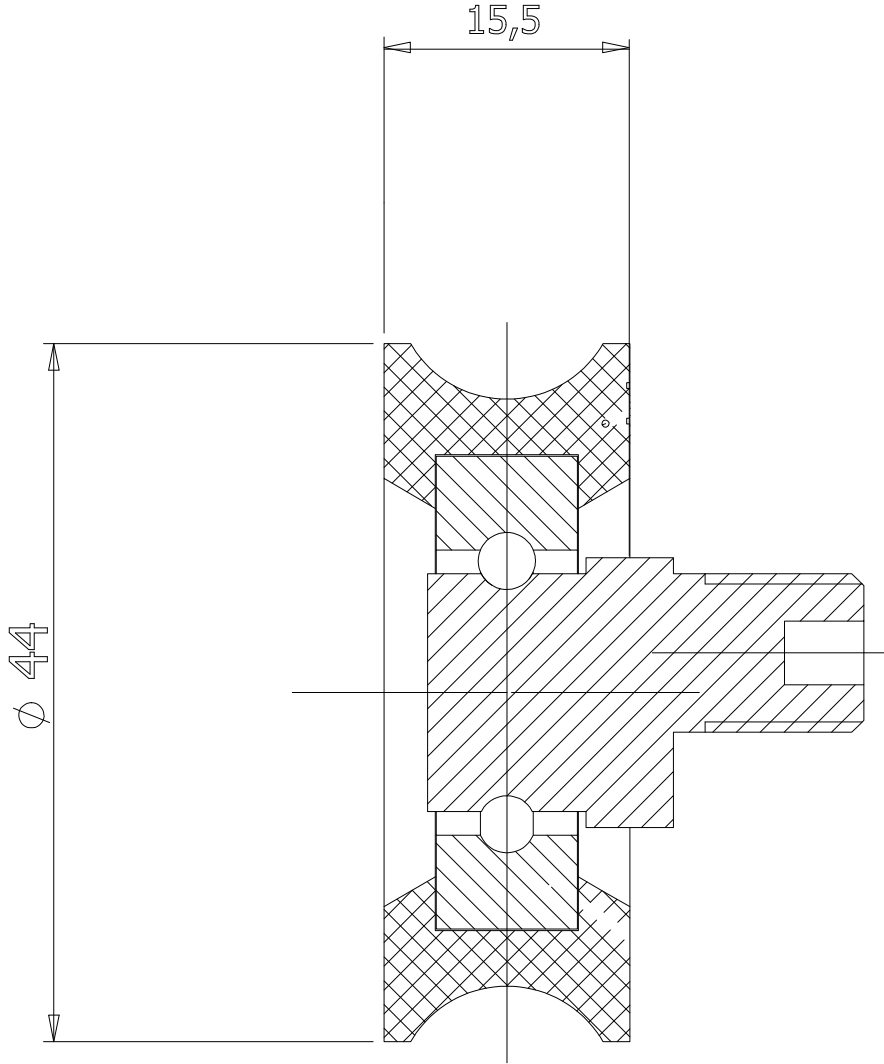
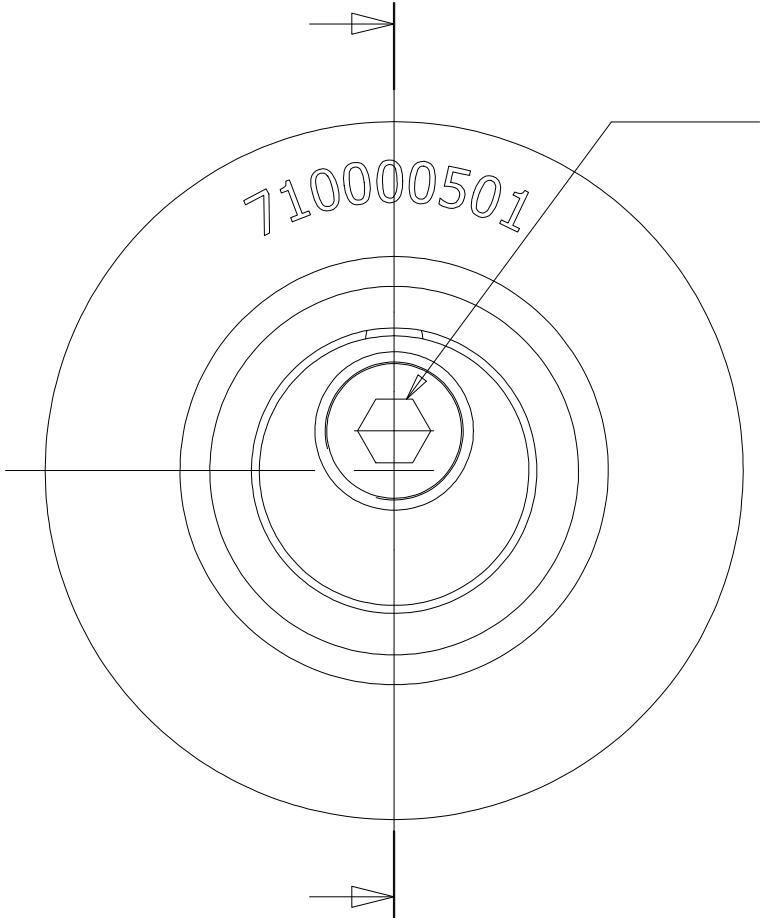
*Strada Della Pace 23 ter
I 43055 Mezzani Località Casale (Pr) Italy
Tel. +39 0521 3164.11
Fax +39 0521 3164.333
e-mail sales@prismaitaly.it
www.prismaitaly.it*



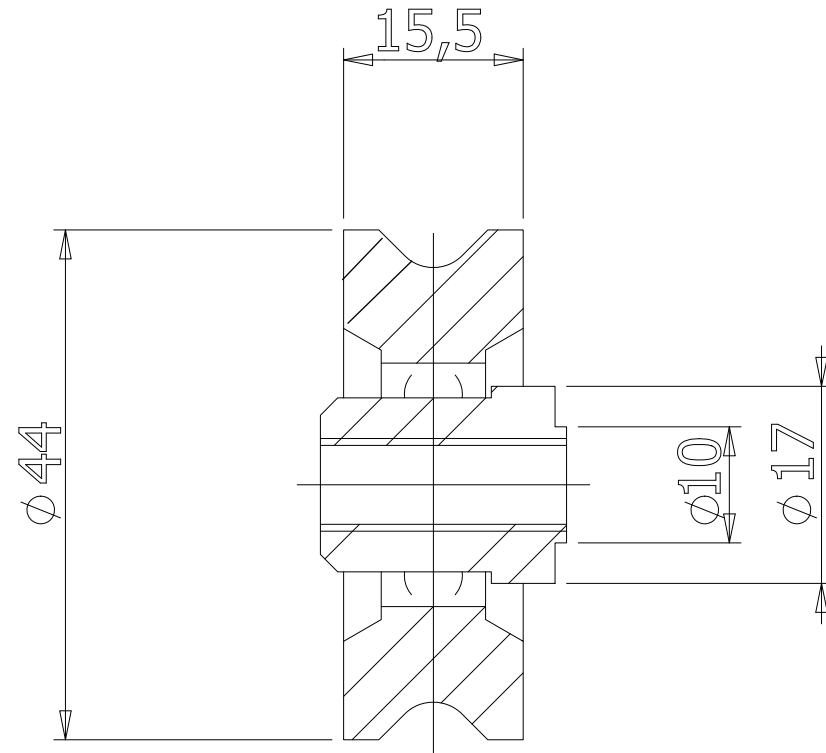
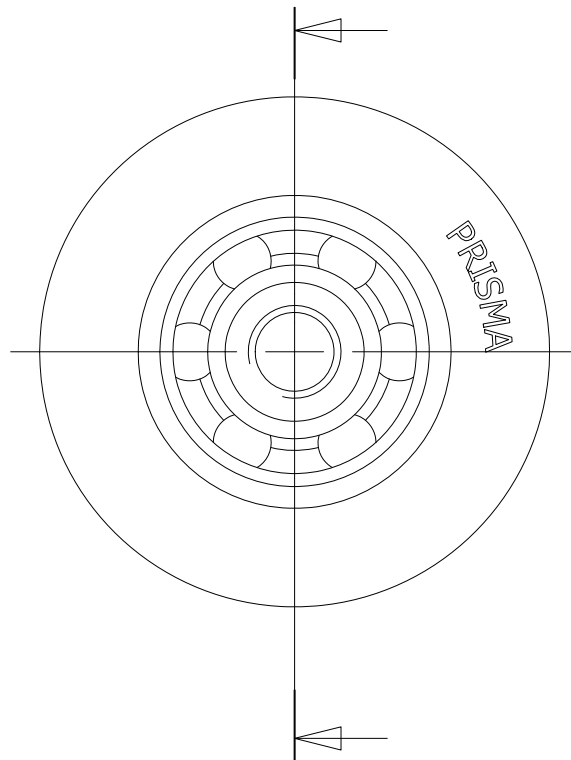
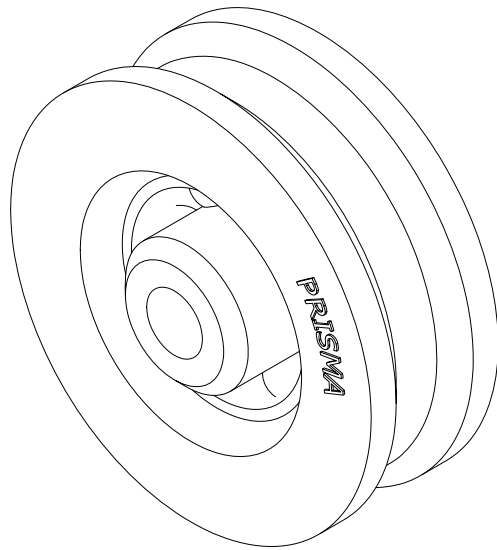
CERTIFIED ISO 9001:2008

11_03_99_01REV00

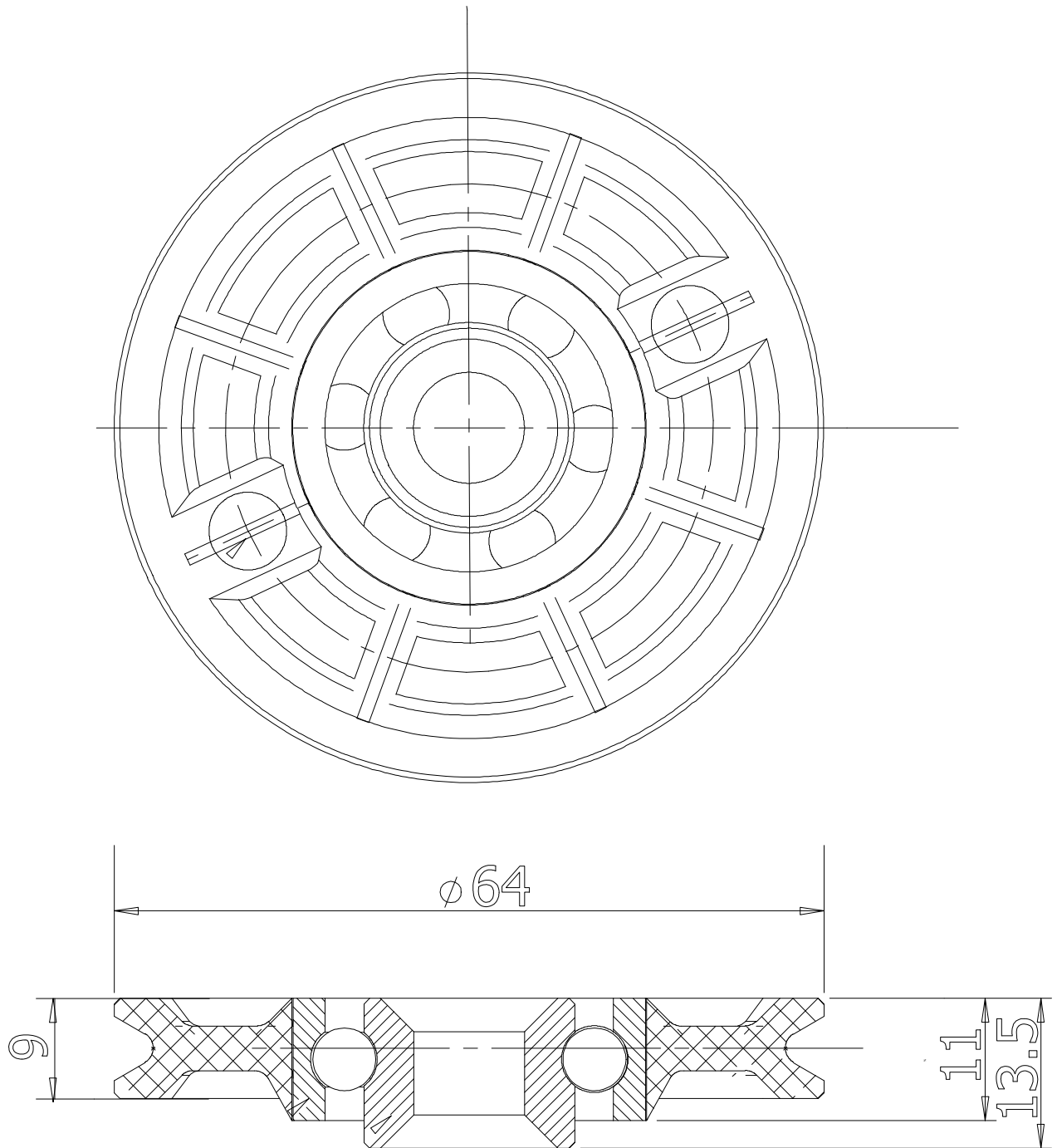
710000501



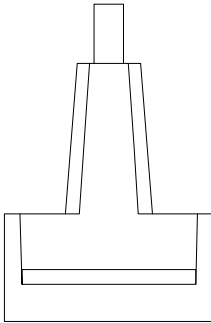
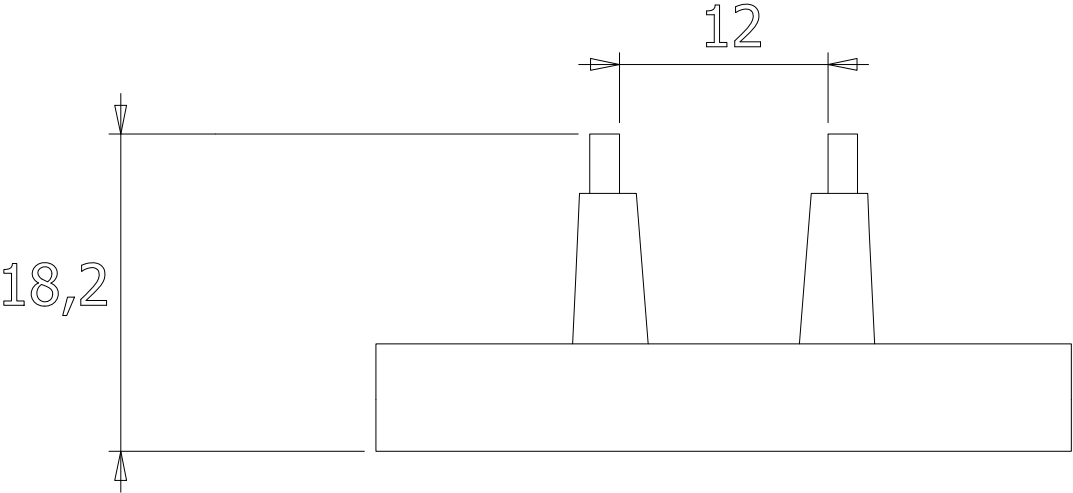
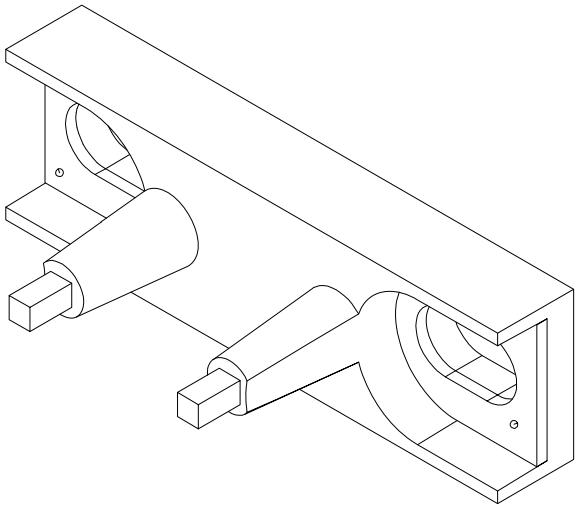
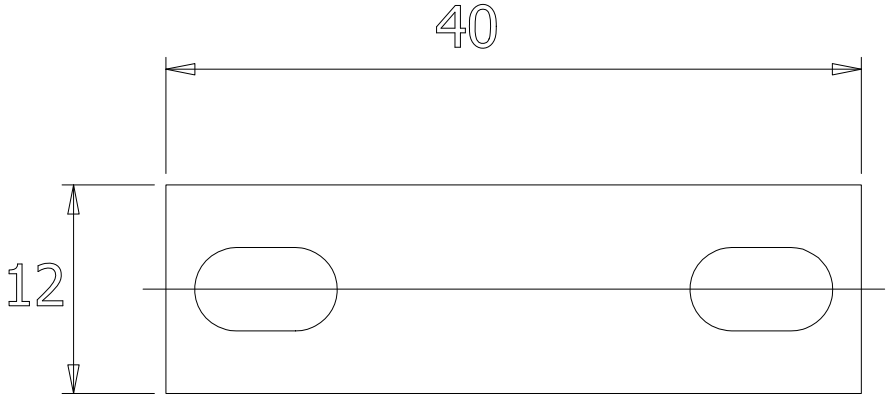
710000505



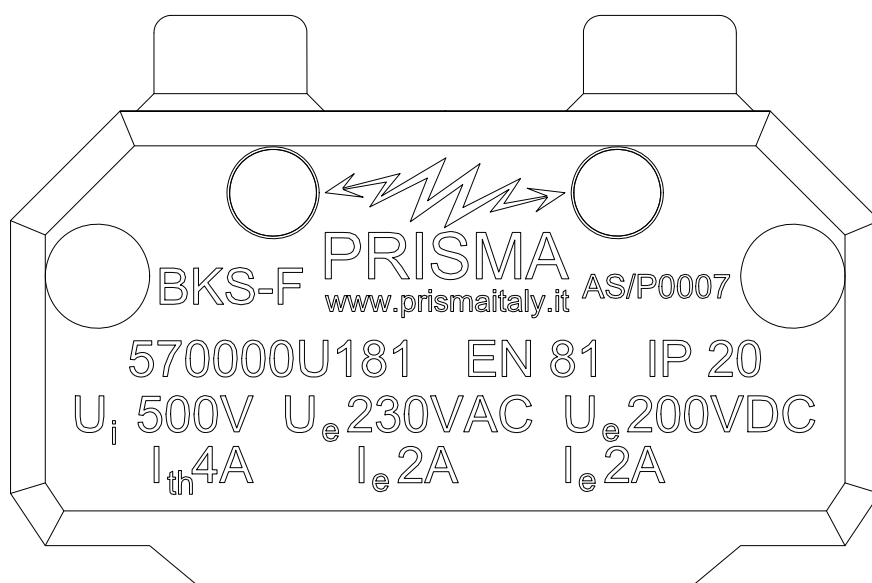
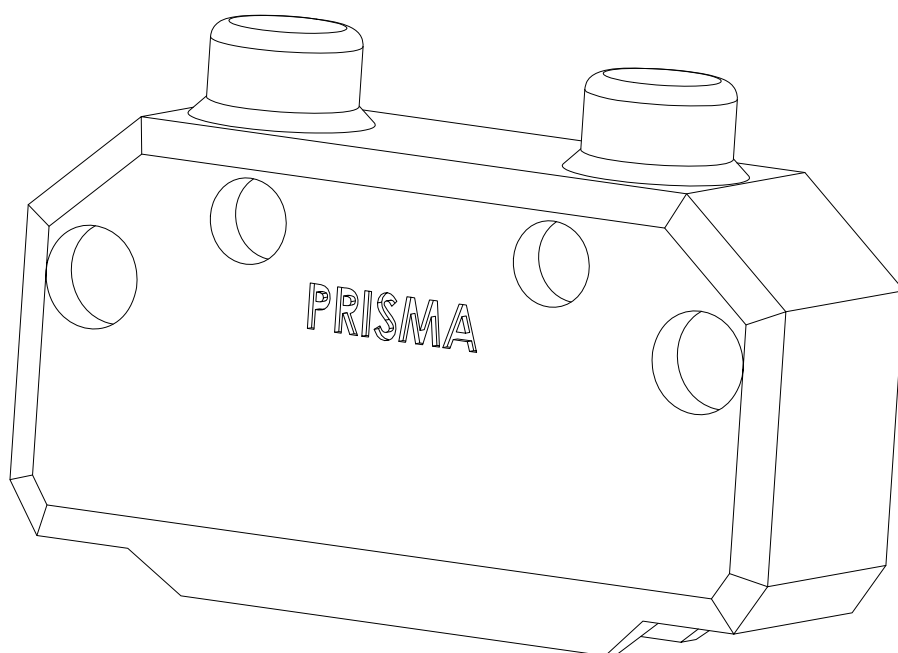
710000009



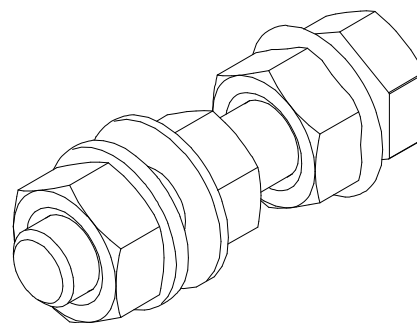
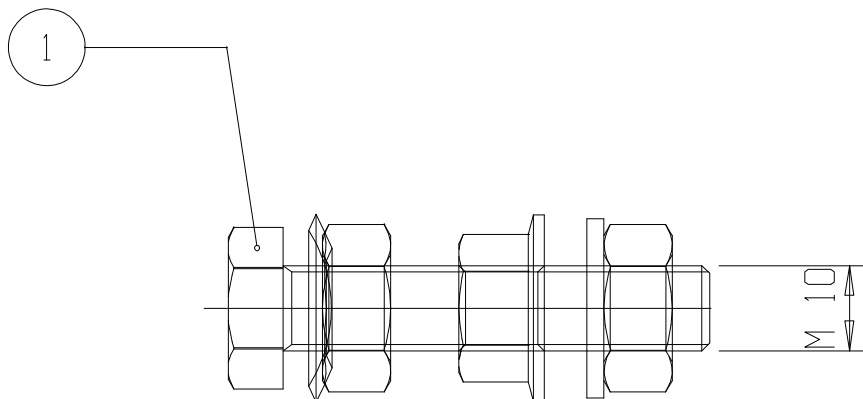
57000U177



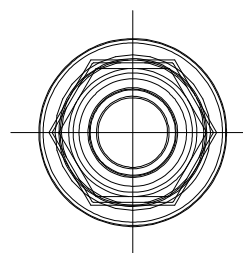
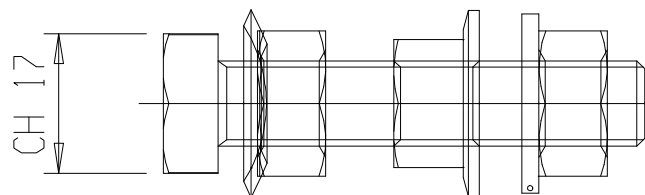
570000U181



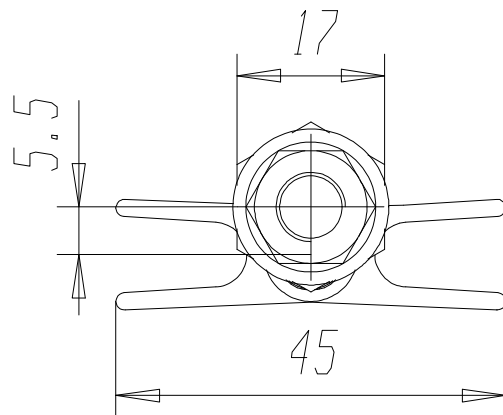
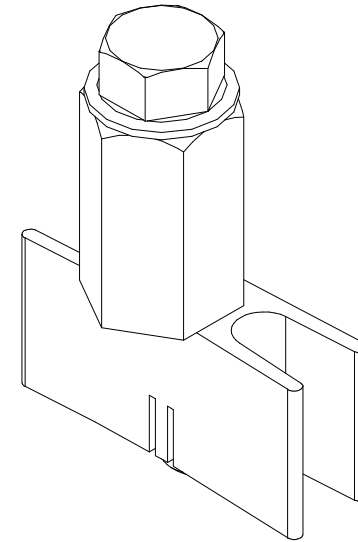
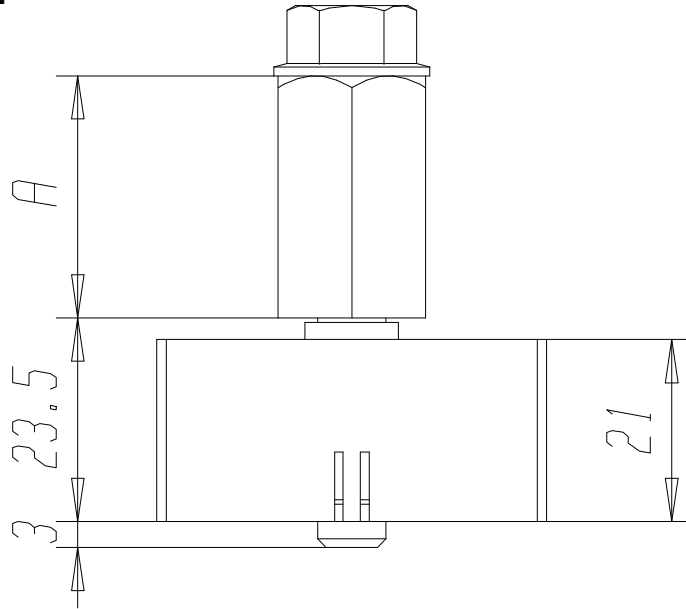
570000B335



CODE	1
570000B335/01	UNI 5739 M10x50
570000B335/02	UNI 5739 M10x70
570000B335/03	UNI 5739 M10x90



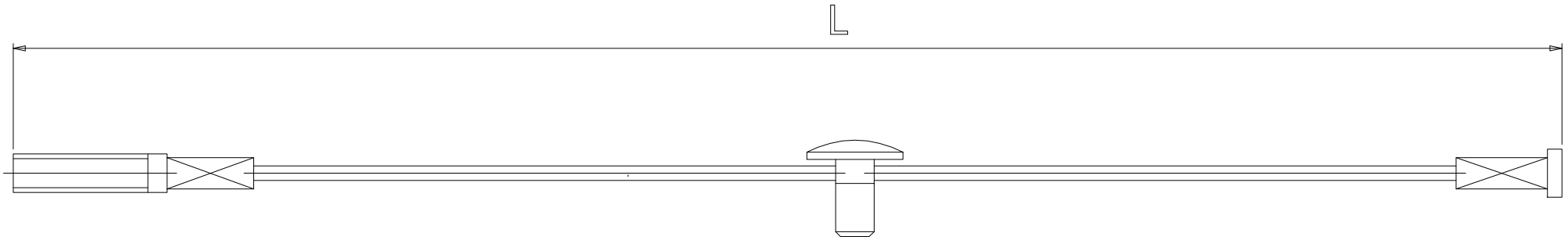
570000B382



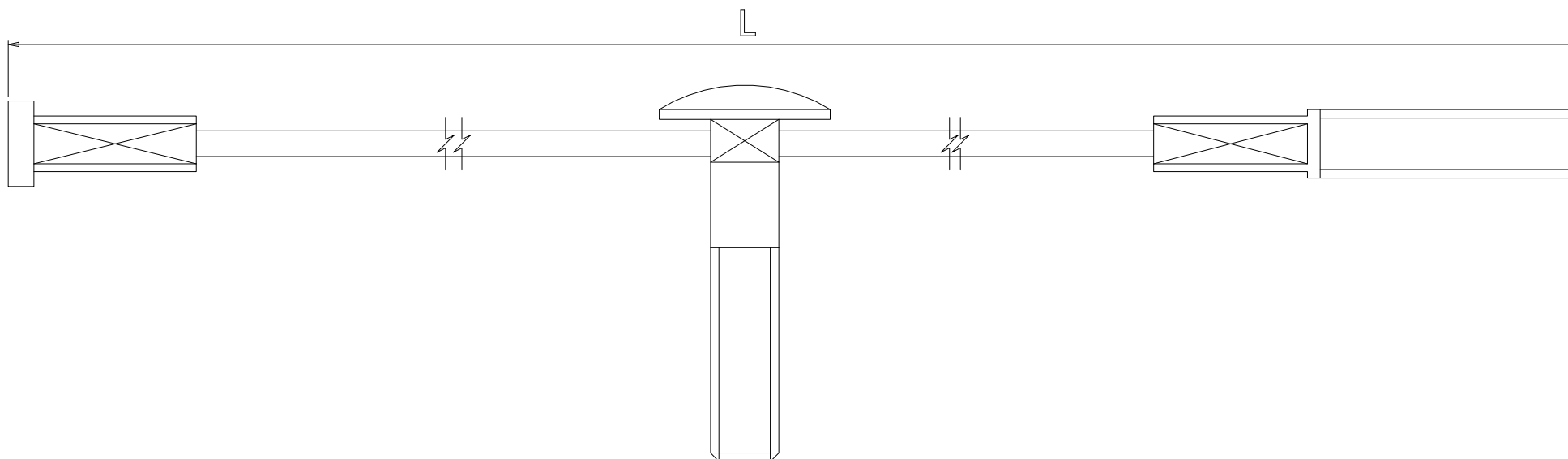
A	XX
20	01
25	02
28	03

570000B382/XX

770000W087



CLEAR OPENING				ROPE LENGTH	CODE
LUCE A=				FUNE	CODICE
C2S	C3S	C4C	C6C	L=	
600	900	1200-1250	1800-1850	1195	770000W087_01
650	950-1000	1300-1350	1900-2050	1245	770000W087_02
700-750	1050-1150	1400-1500	2100-2300	1340	770000W087_03
800-850	1200-1300	1600-1700	2400-2600	1440	770000W087_04
900-950	1350-1450	1800-1900	2700-2900	1540	770000W087_05
1000-1050	1500-1600	2000-2100	3000-3200	1640	770000W087_06
1100-1150	1650-1750	2200-2300	3300-3500	1740	770000W087_07
1200-1250	1800-1900	2400-2500	3600-3800	1840	770000W087_08
1300-1350	1950-2000	2600-2700	3900-4000	1940	770000W087_09
1400-1450		2800-2900		2040	770000W087_10
1500-1550		3000-3100		2140	770000W087_11
1600-1650		3200-3300		2240	770000W087_12
1700-1750		3400-3500		2340	770000W087_13
1800-1850		3600-3700		2440	770000W087_14
1900-1950		3800-3900		2540	770000W087_15
2000		4000		2640	770000W087_16

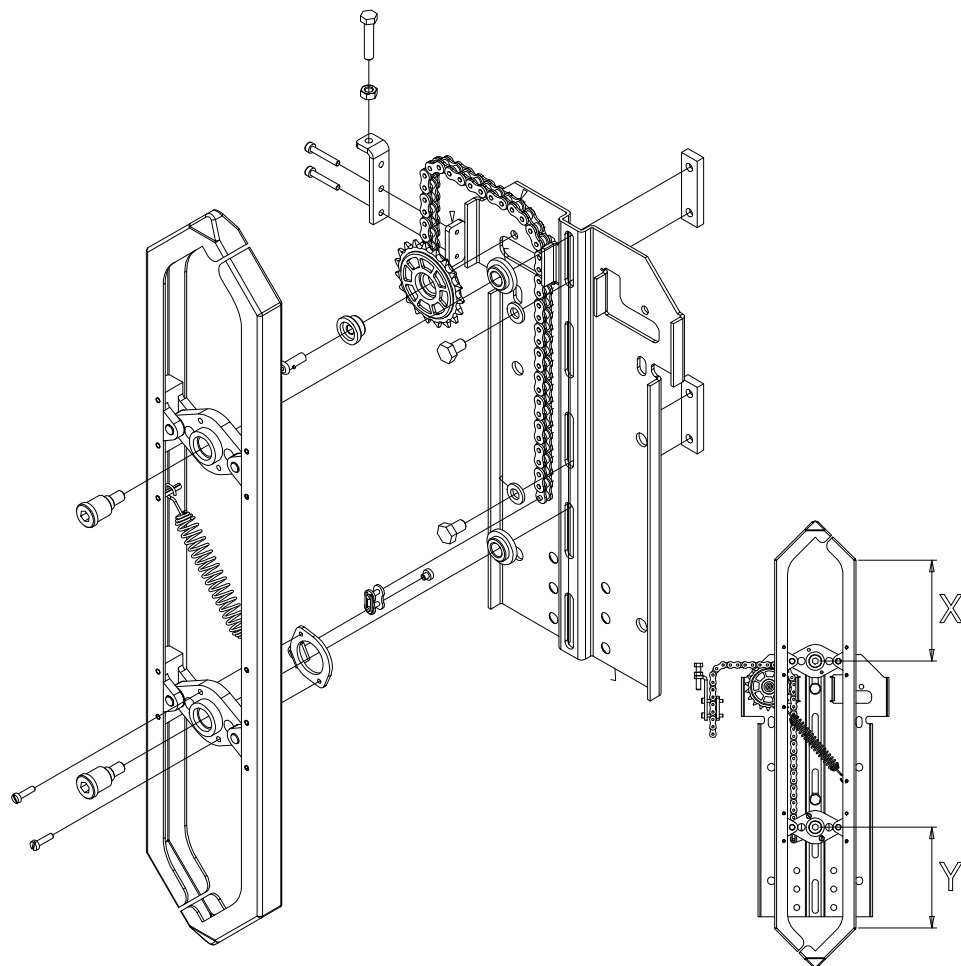


Senza ExtraCorsa			
CODICE	L luce	L carrello	L=Lunghezza fune
780000W326_01	500	240	2089
780000W326_02	550	240	2189
780000W326_03	600	290	2489
780000W326_04	650	290	2589
780000W326_05	700	335	2869
780000W326_06	750	335	2969
780000W326_07	800	385	3269
780000W326_08	850	385	3369
780000W326_09	900	435	3669
780000W326_10	950	435	3769
780000W326_11	1000	485	4069
780000W326_12	1050	485	4169
780000W326_13	1100	535	4469

Con ExtraCorsa			
CODICE	L luce	L carrello	L=Lunghezza fune
780000W326_51	520	240	2129
780000W326_52	570	240	2229
780000W326_53	620	290	2529
780000W326_54	670	290	2629
780000W326_55	720	335	2909
780000W326_56	770	335	3009
780000W326_57	820	385	3309
780000W326_58	870	385	3409
780000W326_59	920	435	3709
780000W326_60	970	435	3809
780000W326_61	1020	485	4109
780000W326_62	1070	485	4209
780000W326_63	1120	535	4509

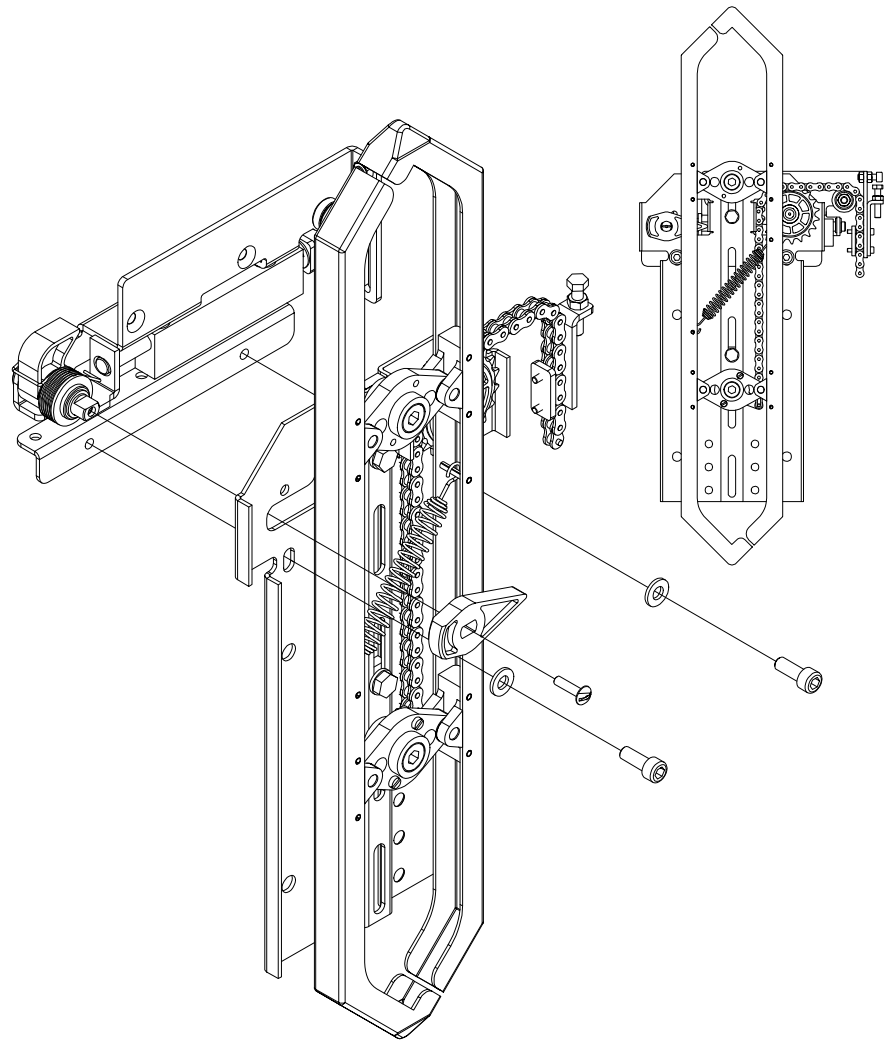
780000W326

780000C234



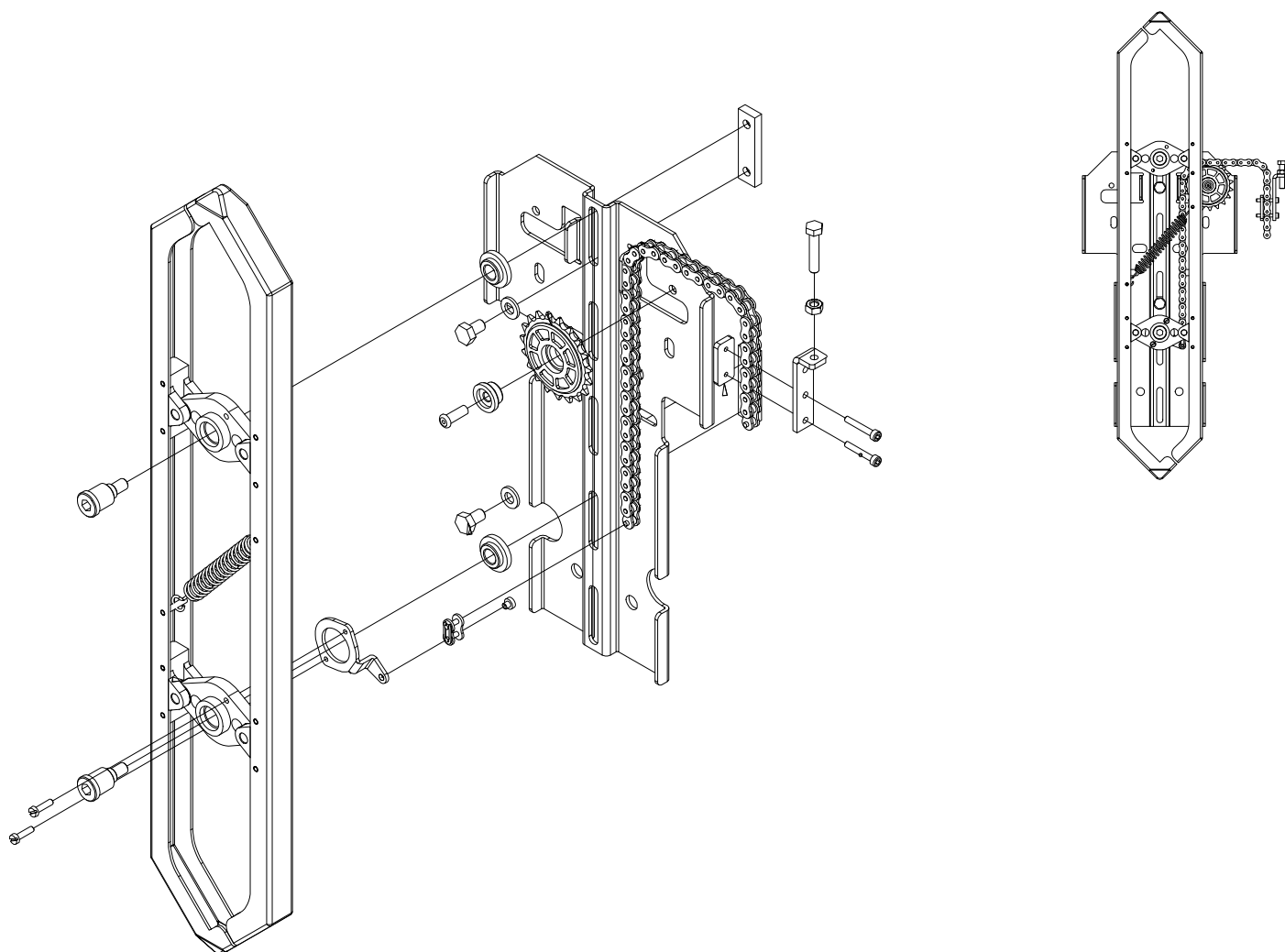
CODICE	DESCRIZIONE	PARTICOLARE 18	VERSIONE	UTILIZZO	X	Y
780000C234_01	Abbinamento SX senza trascinamento	780000B061_01	DRAWING	Per C1S/L - C2S/L - C3S/L	109	109
780000C234_03	Abbinamento SX senza trascinamento L=290mm	780000B061_02			70	70
780000C234_05	Abbinamento SX senza trascinamento L=320mm	780000B061_03			70	70
780000C234_07	Abbinamento SX senza trascinamento asimmetrico	780000B061_04			150	70
780000C234_02	Abbinamento DX senza trascinamento	780000B061_01	ASYMMETRIC	Per C1S/R - C2S/R - C3S/R - C2C - C4C	109	109
780000C234_04	Abbinamento DX senza trascinamento L=290mm	780000B061_02			70	70
780000C234_06	Abbinamento DX senza trascinamento L=320mm	780000B061_03			70	70
780000C234_08	Abbinamento DX senza trascinamento asimmetrico	780000B061_04			150	70

780000C013



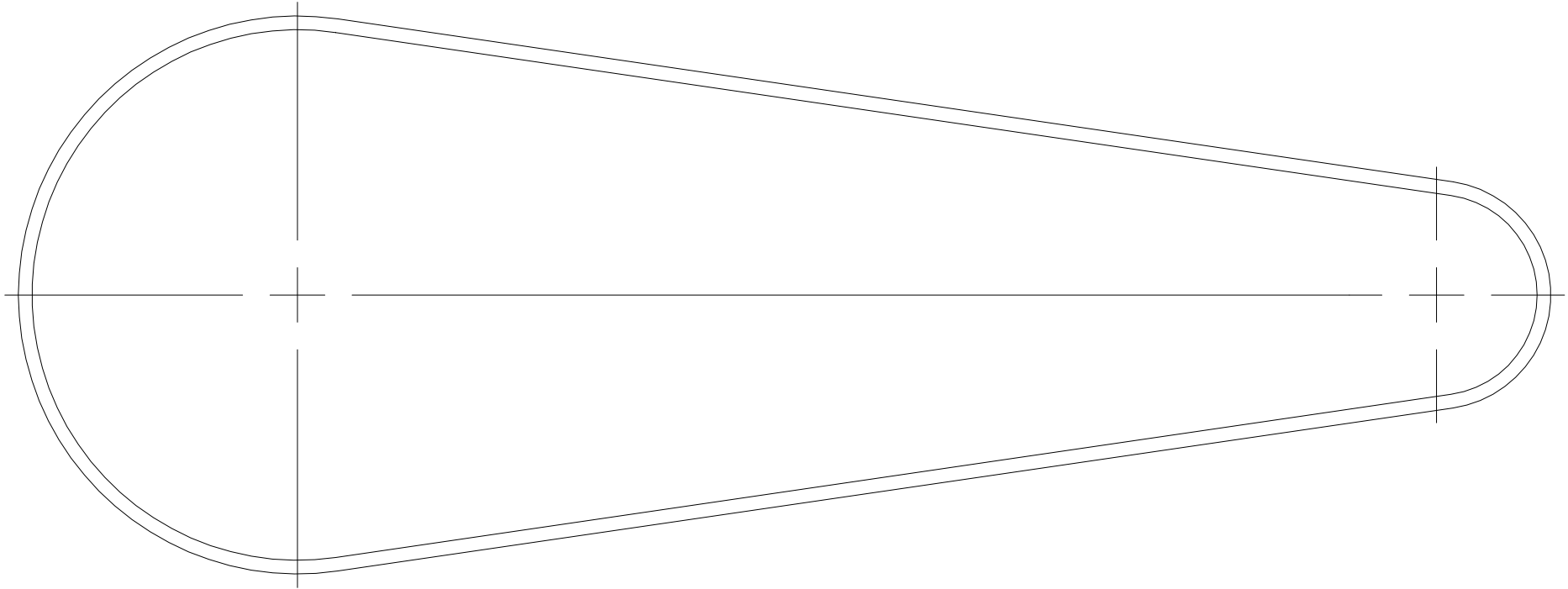
780000C013_01	Gruppo abbinamento completo DX	DRAWING a disegno	Per C1S/R - C2S/R - C3S/R - C2C - C4C
780000C013_03	Gruppo abbinamento completo DX L=290mm		
780000C013_05	Gruppo abbinamento completo DX L=320mm		
780000C013_07	Gruppo abbinamento completo DX asimmetrico	simmetrica SYMMETRIC	Per C1S/L - C2S/L - C3S/L
780000C013_02	Gruppo abbinamento completo SX		
780000C013_04	Gruppo abbinamento completo SX L=290mm		
780000C013_06	Gruppo abbinamento completo SX L=320mm		
780000C013_08	Gruppo abbinamento completo SX asimmetrico		

780000C331 Small

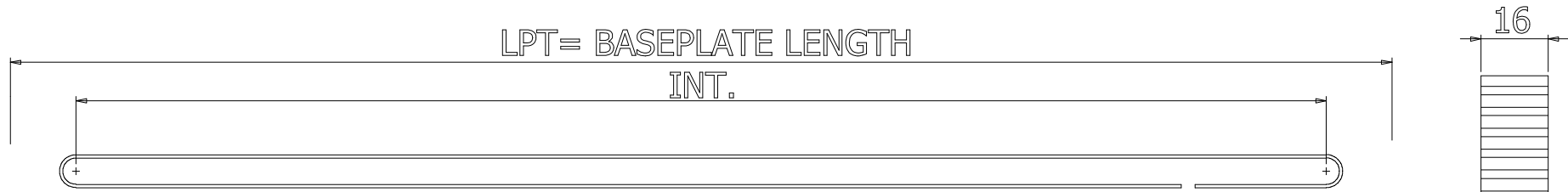


versione	utilizzo	codice
DRAWING	C1S/R, C2S/R, C3S/R, C2C	780000C331_01
SYMMETRIC	C1S/L, C2S/L, C3S/L	780000C331_02

780000U085



780000U191



LUCE A = CLEAR OPENING

LPT	INT	SV. L=	CODICE	C1S LUCE A=	C2S LUCE A=	C3S LUCE A=	C2C LUCE A=	C4C LUCE A=
801	707	1473	780000U191_01		500			
826	732	1523	780000U191_02		525			
854	760	1575	780000U191_03			600-625		
876	782	1623	780000U191_04		550-575			
904	810	1685	780000U191_05			650-675		
909	815	1690	780000U191_06		600			
934	840	1745	780000U191_07		625			
959	865	1795	780000U191_08	500-575				
979	885	1830	780000U191_09			700-725		
984	890	1835	780000U191_10		650-675			
1024	635	1480	780000U191_11				500-520	
1024	930	1915	780000U191_39					600-650
1054	960	1985	780000U191_12		700-725	750-775		
1074	661	1380	780000U191_13				550-570	
1104	1010	2075	780000U191_14		750-775	800-825		
1124	1030	2115	780000U191_40					700-750
1154	1060	2180	780000U191_15			850-875		
1159	1065	2185	780000U191_16	600-675				
1204	1100	2280	780000U191_17		800-875			
1209	1115	2290	780000U191_18			900		
1224	735	1525	780000U191_19				600	
1224	1130	2315	780000U191_41					800-850
1234	1140	2340	780000U191_20			925		
1259	1165	2390	780000U191_21			950		
1274	760	1580	780000U191_22				650	
1284	1190	2440	780000U191_23			975		
1334	1240	2540	780000U191_24			1000-1025		
1354	1260	2575	780000U191_25		900-975			
1359	1265	2585	780000U191_26	700-775				
1370	808	1675	780000U191_27				700-770	
1374	1280	2615	780000U191_42					900-950
1404	1310	2680	780000U191_28			1050-1075		
1429	1335	2725	780000U191_29			1100-1125		
1462	1368	2795	780000U191_30		1000-1075			
1470	858	1775	780000U191_31				800-870	
1559	1465	2985	780000U191_32	800-875				
1562	1378	2810	780000U191_33		1100-1175			
1570	908	1875	780000U191_34				900-970	
1670	958	1975	780000U191_35				1000-1070	
1759	1665	3395	780000U191_36	900-975				
1770	1008	2075	780000U191_37				1100-1120	
1959	1865	3795	780000U191_38	1000-1075				
1712	1488	3030	780000U191_43		1200-1275			

MS40 C4C

LPT	INT	SV.L=	CODICE	LUCE A=
990	896	1850	780000U191_51	600
1040	946	1950	780000U191_52	650
1090	996	2050	780000U191_53	700
1140	1046	2150	780000U191_54	750
1240	1146	2350	780000U191_55	800
1290	1196	2450	780000U191_56	850
1390	1296	2650	780000U191_57	900
1440	1346	2750	780000U191_58	950
1540	1446	2950	780000U191_59	1000
1590	1496	3050	780000U191_60	1050

MS40 C4A R/L

LPT	INT	SV.L=	CODICE	LUCE A=
990	896	1850	780000U191_71	600
1040	946	1950	780000U191_72	650
1090	996	2050	780000U191_73	700
1140	1046	2150	780000U191_74	750
1240	1146	2350	780000U191_75	800
1290	1196	2450	780000U191_76	850
1390	1296	2650	780000U191_77	900
1440	1346	2750	780000U191_78	950
1540	1446	2950	780000U191_79	1000
1590	1496	3050	780000U191_80	1050

780000B083

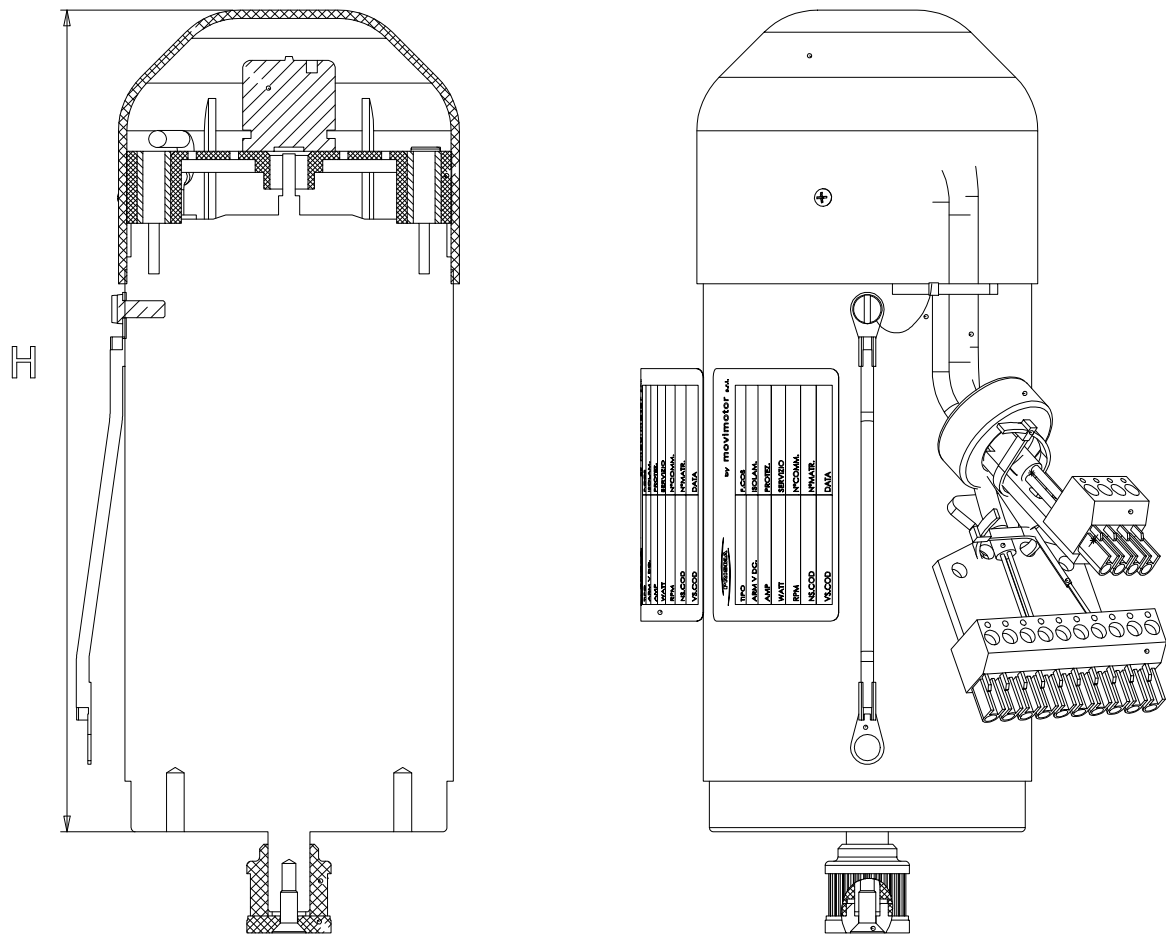
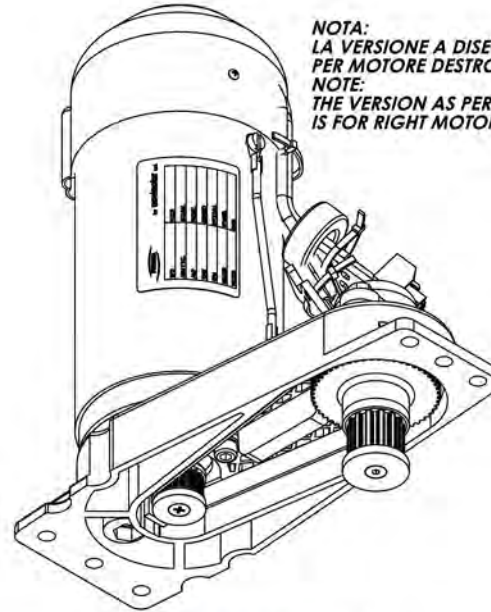
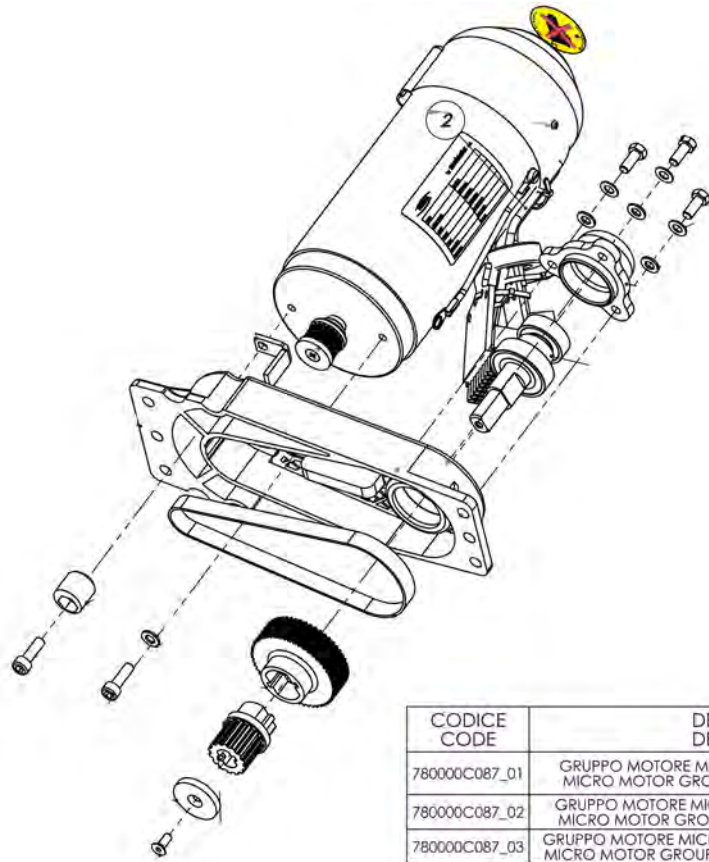


TABELLA DI RIEPILOGO - SUMMARY CHART

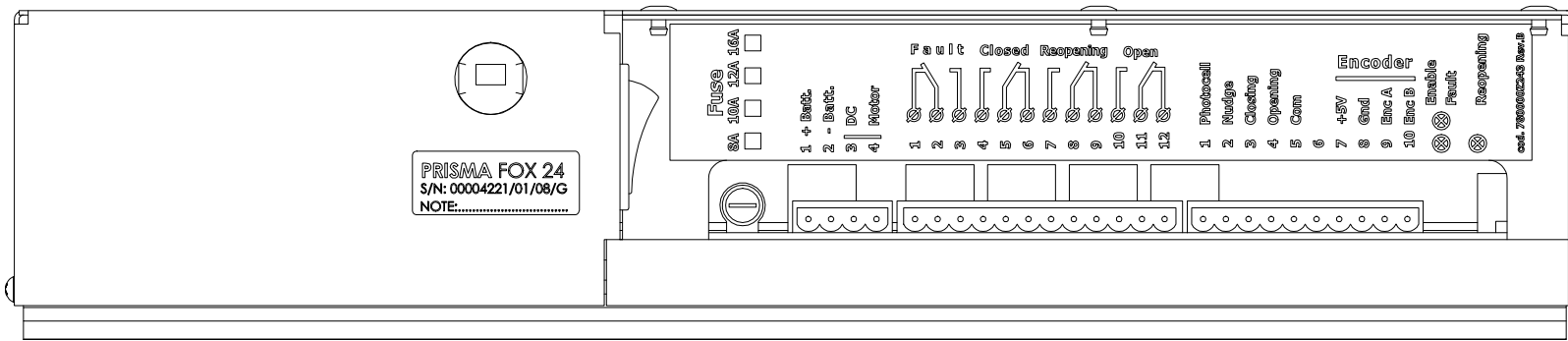
Codice Assieme Assembly Code	Descrizione Description	Codice Motore Pos. 1 Motor Code Pos. 1	H	Caratteristiche tecniche Technical specifications
780000B083_01	MOTORE MICRO DX S78L CAVI 1000 mm MICRO MOTOR RIGHT S78L CABLES 1000 mm	780000U004_01	195	100 W, 24 V, 1450 rpm, IP 44
780000B083_02	MOTORE MICRO DX S78XL CAVI 1000 mm MICRO MOTOR RIGHT S78XL CABLES 1000	780000U004_02	240	200 W, 24 V, 1450 rpm, IP 44
780000B083_03	MOTORE MICRO DX S78L CAVI 1500 mm MICRO MOTOR RIGHT S78L CABLES 1500 mm	780000U004_01	195	100 W, 24 V, 1450 rpm, IP 44 (*)
780000B083_04	MOTORE MICRO DX S78XL CAVI 1500 mm MICRO MOTOR RIGHT S78XL CABLES 1500	780000U004_02	240	200 W, 24 V, 1450 rpm, IP 44 (*)
780000B083_05	MOTORE MICRO SX S78L CAVI 1000 mm MICRO MOTOR LEFT S78L CABLES 1000 mm	780000U004_01	195	100 W, 24 V, 1450 rpm, IP 44
780000B083_06	MOTORE MICRO SX S78XL CAVI 1000 mm MICRO MOTOR LEFT S78XL CABLES 1000 mm	780000U004_02	240	200 W, 24 V, 1450 rpm, IP 44
780000B083_07	MOTORE MICRO SX S78L CAVI 1500 mm MICRO MOTOR LEFT S78L CABLES 1500 mm	780000U004_01	195	100 W, 24 V, 1450 rpm, IP 44 (*)
780000B083_08	MOTORE MICRO SX S78XL CAVI 1500 mm MICRO MOTOR LEFT S78XL CABLES 1500 mm	780000U004_02	240	200 W, 24 V, 1450 rpm, IP 44 (*)

780000C087

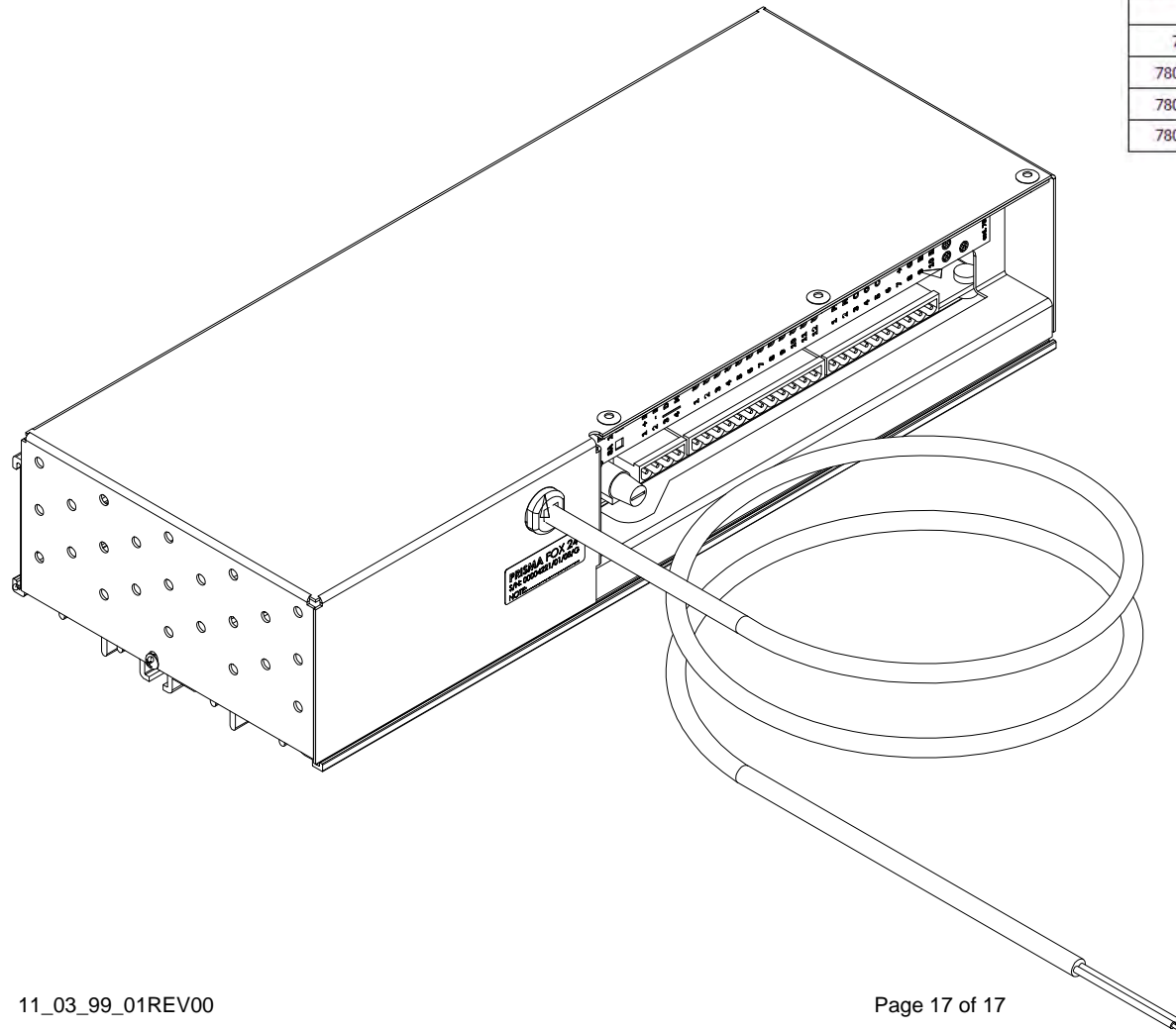


NOTA:
LA VERSIONE A DISEGNO E'
PER MOTORE DESTRO
NOTE:
THE VERSION AS PER DRAWING
IS FOR RIGHT MOTOR GROUP

CODICE CODE	DESCRIZIONE DESCRIPTION	CODICE POS. 2 CODE POS. 2	A
780000C087_01	GRUPPO MOTORE MICRO DX S78L CON CAVI L=1000 MICRO MOTOR GROUP RT S78L WITH CABLES L=1000	780000B083_01	220
780000C087_02	GRUPPO MOTORE MICRO DX S78XL CON CAVI L=1000 MICRO MOTOR GROUP RT S78XL WITH CABLES L=1000	780000B083_02	265
780000C087_03	GRUPPO MOTORE MICRO DX S78L IP54 CON CAVI L=1500 MICRO MOTOR GROUP RT S78L IP54 WITH CABLES L=1500	780000B083_03	220
780000C087_04	GRUPPO MOTORE MICRO DX S78XL IP54 CON CAVI L=1500 MICRO MOTOR GROUP RT S78XL IP54 WITH CABLES L=1500	780000B083_04	265
780000C087_05	GRUPPO MOTORE MICRO SX S78L CON CAVI L=1000 MICRO MOTOR GROUP LT S78L WITH CABLES L=1000	780000B083_05	220
780000C087_06	GRUPPO MOTORE MICRO SX S78XL CON CAVI L=1000 MICRO MOTOR GROUP LT S78XL WITH CABLES L=1000	780000B083_06	265
780000C087_07	GRUPPO MOTORE MICRO SX S78L IP54 CON CAVI L=1500 MICRO MOTOR GROUP LT S78L IP54 WITH CABLES L=1500	780000B083_07	220
780000C087_08	GRUPPO MOTORE MICRO SX S78XL IP54 CON CAVI L=1500 MICRO MOTOR GROUP LT S78XL IP54 WITH CABLES L=1500	780000B083_08	265



CODICE / CODE	VERSIONE / VERSION	VERSIONE / VERSION	CODICE / CODE
	SWITCHING 230 Vac (110/270)	SWITCHING 48 Vdc (35/60)	
780000Y082	MOTORE / MOTOR 100W	MOTORE / MOTOR 100W	780000Y082_004
780000Y082_001	MOTORE / MOTOR 150W	MOTORE / MOTOR 150W	780000Y082_005
780000Y082_002	MOTORE / MOTOR 200W	MOTORE / MOTOR 200W	780000Y082_006
780000Y082_003	MOTORE / MOTOR 300W	MOTORE / MOTOR 300W	780000Y082_007



780000Y082



Automatic doors and traction machines for elevators



PRISMA IN THE WORLD



ITALY - PRISMA S.p.A.
sales@prismaitaly.it - www.prismaitaly.it



IRAN - PRISMA LIFT COMPONENTS LTD.
sales@prismalc.com - www.prismalc.com



INDIA - PRISMA DSA INDUSTRIES PVT. LTD.
sales@prismadsa.com - www.prismadsa.com



SPAIN - PUERTAS PRISMA SL
sales@puertasprisma.es - www.puertasprisma.es