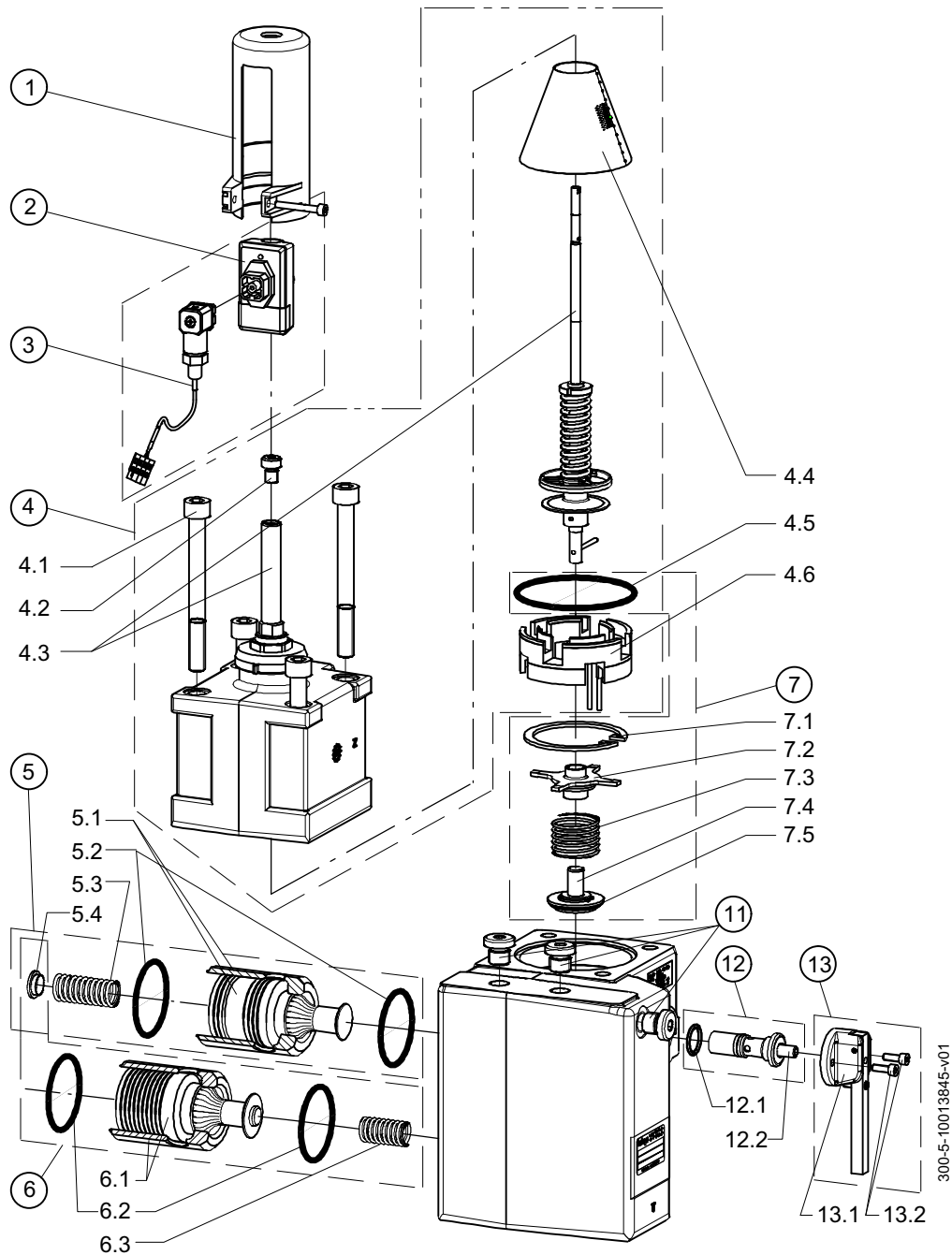


Service Parts List LRV...1

LRV175-1 / LRV350-1 / LRV700-1

1 Main control valve



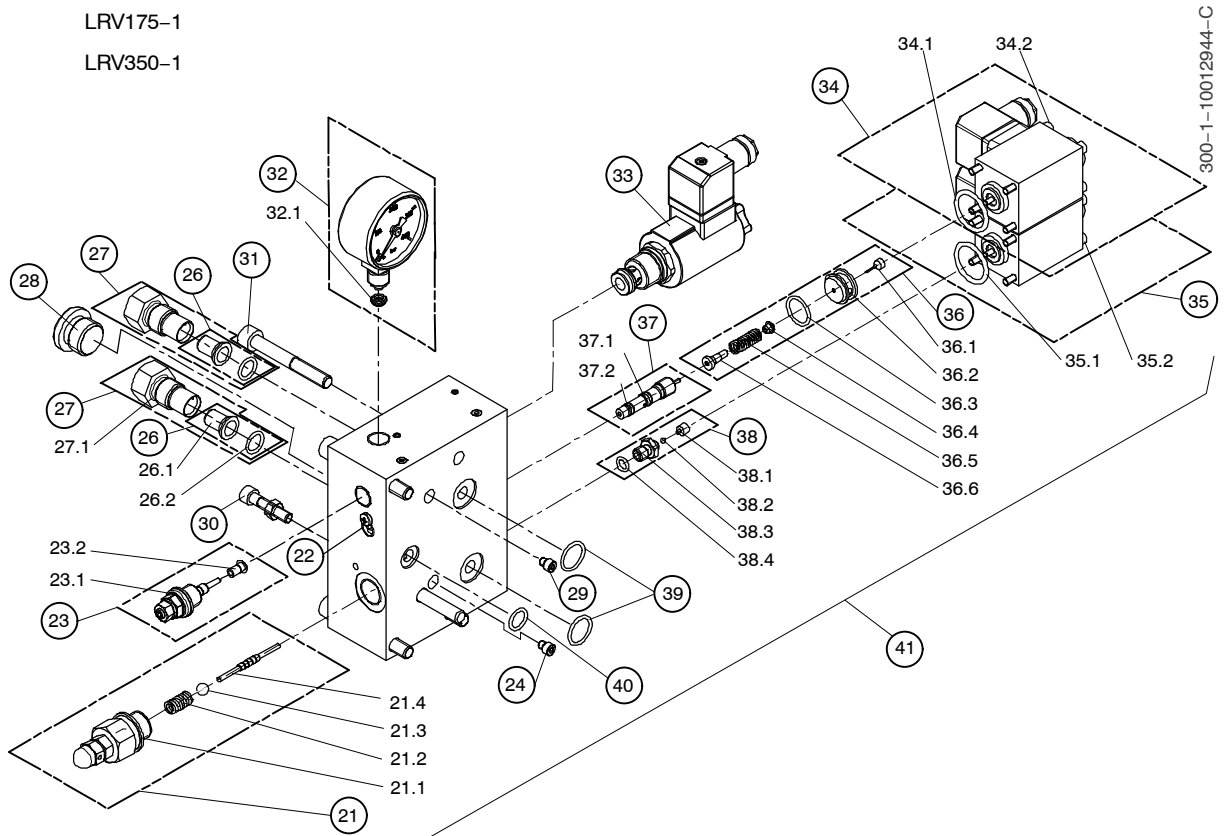
It.	Qty.	Description	Dimension	LRV175-1	LRV350-1	LRV700-1
1	1	Protection cap with screw		3007010206	3007010206	3007010206
2	1	Hall sensor, complete		3007012009+	3007012009+	3007012009+
3	1	Feedback cable with plug-in connectors	6 m	3000009015+	3000009015+	3000009015+
	1	Feedback cable with plug-in connectors	9 m	3000009016+	3000009016+	3000009016+
	1	Feedback cable with plug-in connectors	12 m	3000009017+	3000009017+	3000009017+
	1	Feedback cable with plug-in connectors	20 m	3000009958+	3000009958+	3000009958+
4	1	Valve top part (without Hall sensor / cap)	175 / 45 l	3007017850		
	1	Valve top part (without Hall sensor / cap)	175 / 90 l	3007017851		
	1	Valve top part (without Hall sensor / cap)	175 / 175 l	3007017852		
	1	Valve top part (without Hall sensor / cap)	175 / 250 l	3007017853		
	1	Valve top part (without Hall sensor / cap)	350 / 250 l		3007017854	
	1	Valve top part (without Hall sensor / cap)	350 / 350 l		3007017855	
	1	Valve top part (without Hall sensor / cap)	350 / 500 l		3007017856	
	1	Valve top part (without Hall sensor / cap)	700 / 700 l			3007017857
	1	Valve top part (without Hall sensor / cap)	700 / 1000 l			3007017858
4.1	4	Cylinder screw	M8x80	x		
4.1	4	Cylinder screw	M10x100		x	
4.1	4	Cylinder screw	M12x100			x
4.2	1	Plug screw	M8x1	x	x	x
4.3	1	Measuring rod with guide tube, complete		x	x	x
4.4	1	Filter-strainer		x	x	x
4.5	1	O-ring	56.82 x 2.62	x		
4.5	1	O-ring	71.12 x 2.62		x	
4.5	1	O-ring	104.37 x 3.53			x
4.6	1	Flow ring		x	x	x
5	1	DOWN spool, complete	90 l	3007011147		
	1	DOWN spool, complete	250 l	3007011148		
	1	DOWN spool, complete	500 l		3007011149	
	1	DOWN spool, complete	1000 l			3007011150
5.1	1	Sleeve + spool		x	x	x
5.2	2	O-ring	34.59 x 2.62	x		
5.2	2	O-ring	44.12 x 2.62		x	
5.2	2	O-ring	63.17 x 2.62			x
5.3	1	Spring		x	x	x
5.4	1	Spring plate for DOWN spool		x	x	x

It.	Qty.	Description	Dimension	LRV175-1	LRV350-1	LRV700-1
6	1	UP spool, complete	90 l	3007011151	3007011153	3007011155
	1	UP spool, complete	250 l	3007011152		
	1	UP spool, complete	500 l			
	1	UP spool, complete	1000 l			
6.1	1	Sleeve + spool		x	x	x
6.2	2	O-ring	34.59 x 2.62	x		
6.2	2	O-ring	44.12 x 2.62		x	
6.2	2	O-ring	63.17 x 2.62			x
6.3	1	Spring		x	x	x
5.4	1	Spring seat DOWN spool (retrofitting UP spool)		x	x	x
7	1	Check valve, complete		3000007128	3000007129	3000304512
7.1	1	Locking ring	x	x	x	x
7.2	1	Guide	x	x	x	x
7.3	1	Spring	x	x	x	x
7.4	1	Cone	x	x	x	x
7.5	1	Sealing disc		x	x	x
4.5	1	O-ring	56.82 x 2.62	x		
4.5	1	O-ring	71.12 x 2.62		x	
4.5	1	O-ring	104.37 x 3.53			x
11	3	Plug screw VSTI	G ¼"	3007018508	3007018508	3007018508
	2	Plug screw VSTI	G ¼"			
	1	Plug screw VSTI	G ⅜"			
12	1	Cartridge, emergency-lowering, with pre-load		3007010142	3007010142	3007010142
12.1	1	O-ring	15.6 x 1.78	x	x	x
12.2	1	Cartridge		x	x	x
13	1	Emergency lowering handle kit, complete		3007010141	3007010141	3007010141
13.1	1	Handle		x	x	x
13.2	2	Cylinder screw	M4x14	x	x	x

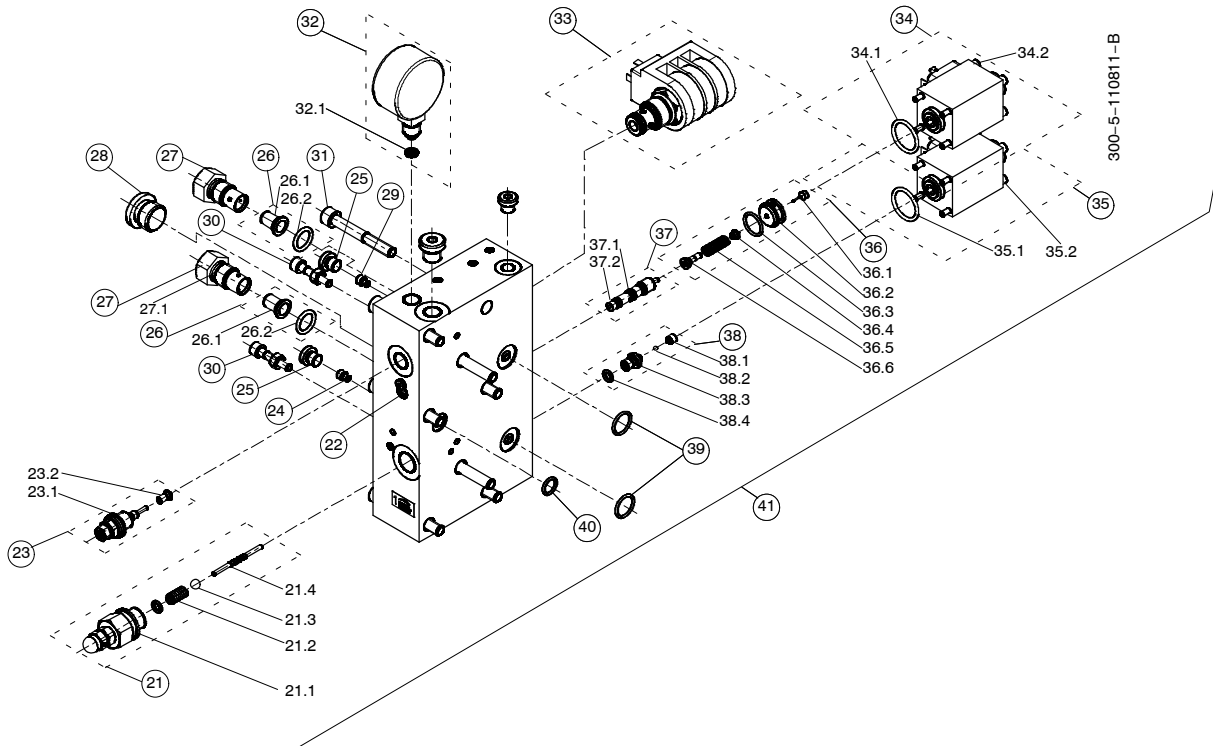
2 Pilot plate

LRV175-1

LRV350-1



LRV700-1



It.	Qty.	Description	Dimension	LRV175-1	LRV350-1	LRV700-1
21	1	Pressure relief valve, complete		3007010140	3007010140	3007010140
21.1	1	Usit-ring	18/24.7 x 1.5	x	x	x
21.2	1	Spring		x	x	x
21.3	1	Ball	ø 7.0	x	x	x
21.4	1	Push-pin		x	x	x
22	1	Pressure gauge shutt-off screw, complete		3007022869	3007022869	3007022869
23	1	Throttle screw for electrical emergency lowering		3007010194	3007010194	3007010194
23.1	1	Usit-ring	14/18.7 x 1.5	x	x	x
23.2	1	Cone	8L/10S	x	x	x
24	1	Damping jet - UP - S M5				
	1	Damping jet S M5 (Q ≤ 45 l/min)	ø 0.35	x		
	1	Damping jet S M5 (Q > 45 l/min)	ø 0.45	x		
	1	Damping jet S M5 (Q > 90 l/min)	ø 0.50	x		
	1	Damping jet S M5	ø 0.60		x	
	1	Damping jet S M5	ø 1.50			x
25	2	Plug screw VSTI	G 1/8"			3007018509
26	1	Pilot filter, complete		3007010158	3007010158	3007010158
26.1	2	Filter-strainer	L17	x	x	x
26.2	2	O-ring	10.82 x 1.78	x	x	x
27	2	Filter screw, complete		3007010195	3007010195	3007010184
27.1	2	O-ring	13.94 x 2.62	x	x	x
28	1	Plug screw VSTI	G 1/2"	3000065227	3000065227	3000065227
28	1	Test nipple, complete (option)	M20x1.5	3007010196	3007010196	3007010196
29	1	Damping jet - DOWN - S M5				
	1	Damping jet S M5 (Q ≤ 45 l/min)	ø 0.50	x		
	1	Damping jet S M5 (Q > 45 l/min)	ø 0.50	x		
	1	Damping jet S M5 (Q > 90 l/min)	ø 0.60	x		
	1	Damping jet S M5	ø 0.70		x	
	1	Damping jet S M5	ø 1.50			x
30		Cylinder screw, incl. nut				
	2	Cylinder screw	M6x30	x		
	2	Cylinder screw	M6x35		x	
	2	Cylinder screw	M8x35			x
31		Cylinder screw				
	4	Cylinder screw	M8x60	x	x	
	6	Cylinder screw	M10x65			x
32	1	Pressure gauge, complete		3007010138	3007010138	3007010138
32.1	2	Sealing ring	1/4"	x	x	x

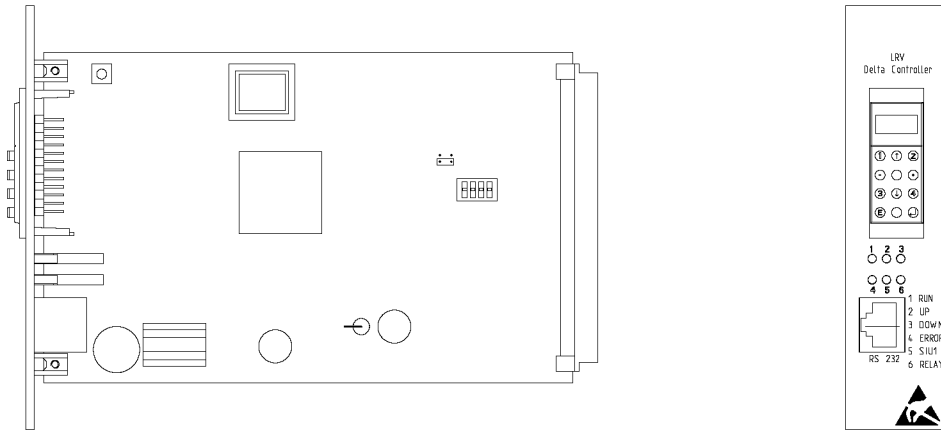
It.	Qty.	Description	Dimension	LRV175-1	LRV350-1	LRV700-1
33	1	Electrical emergency lowering valve	12 VDC	3007017602	3007017602	3007018580
	1	Electrical emergency lowering valve	24 VDC	3007017603	3007017603	3007018581
34	1	DOWN solenoid, complete (black plug)		3007010131	3007010131	3007010131
34.1	1	O-ring	21.89 x 2.62	x	x	x
34.2	4	Cylinder screw	M4x60	x	x	x
35	1	UP solenoid, complete (grey plug)		3007010132	3007010132	3007010132
35.1	1	O-ring	21.89 x 2.62	x	x	x
35.2	4	Cylinder screw	M4x60	x	x	x
36	1	DOWN pilot valve, complete		3007010143	3007010143	3007010148
36.1	1	Push-pin		x	x	x
36.2	1	Bush with seat		x	x	x
36.3	1	O-ring	15.60 x 1.78	x	x	x
36.4	1	Cone		x	x	x
36.5	1	Spring		x	x	x
36.6	1	Spring centering guide		x	x	x
34.1	1	O-ring	21.89 x 2.62	x	x	x
37	1	Adjusting spindle, complete		3000007532+	3000007532+	3000007675+
37.1	1	O-ring	5.5 x 1.5	x	x	x
37.2	1	O-ring	4.5 x 1.5	x	x	x
36.3	1	O-ring	15.60 x 1.78	x	x	x
34.1	1	O-ring	21.89 x 2.62	x	x	x
38	1	UP pilot valve, complete		3007010144	3007010144	3007010145
38.1	1	Push-pin		x	x	x
38.2	1	Ball	ø 3.0	x	x	x
38.3	1	Ball guide	ø 3.0	x	x	x
38.4	1	O-ring	6.07 x 1.78	x	x	x
35.1	1	O-ring	21.89 x 2.62	x	x	x
39	2	O-ring	15.60 x 1.78	x	x	x
40	1	O-ring	10.82 x 1.78	x	x	x
5.2/6.2	1/1	O-rings to main cartridge		x	x	x
41	1	Pilot plate, complete	EN 00	3007015527	3007015528	3007015529
			EN 12 VDC	3007017552	3007017554	3007018933
			EN 24 VDC	3007017553	3007017555	3007018934
41	1	Pilot plate, complete (120 bar)	EN 00	3007018930		
			EN 12 VDC	3007018931		
			EN 24 VDC	3007018932		

3 Seal kits

For all valve types LRV-A and LRV-1 (incl. further O-rings)

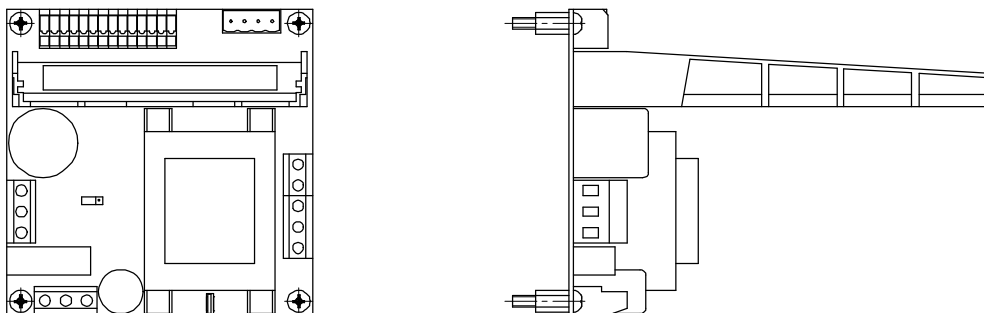
It.	Qty.	Description	Dimension	LRV175-1	LRV350-1	LRV700-1
		Seal kit, complete, Main control valve, pilot plate and DOWN pilot valve		3007012334	3007012335	3007012336

4 Electronic card



Qty.	Description	Dimension	LRV175-1	LRV350-1	LRV700-1
1	DELCON (Delta Controller)	LRV-1	3007010590 +	3007010590+	3007010590+

5 Power supply unit



Qty.	Description	Typ	LRV175-1	LRV350-1	LRV700-1
1	Power supply unit NTA-2 / 115	100 / (110)115 / 120 VAC	3007013534+	3007013534+	3007013534+
1	Power supply unit NTA-2 / 230	220 / 230 / 240 VAC	3007013535+	3007013535+	3007013535+
1	Power supply unit NTA-2 / 400	380 / 400(415) / 440 VAC	3007013536+	3007013536+	3007013536+

info.ch@bucherhydraulics.com

www.bucherhydraulics.com

© 2018 by Bucher Hydraulics AG, CH-6345 Neuheim

All rights reserved.

Data is provided for the purpose of product description only, and must not be construed as warranted characteristics in the legal sense. The information does not relieve users from the duty of conducting their own evaluations and tests. Because the products are subject to continual improvement, we reserve the right to amend the product specifications contained in this catalogue.

Classification: 430.310.